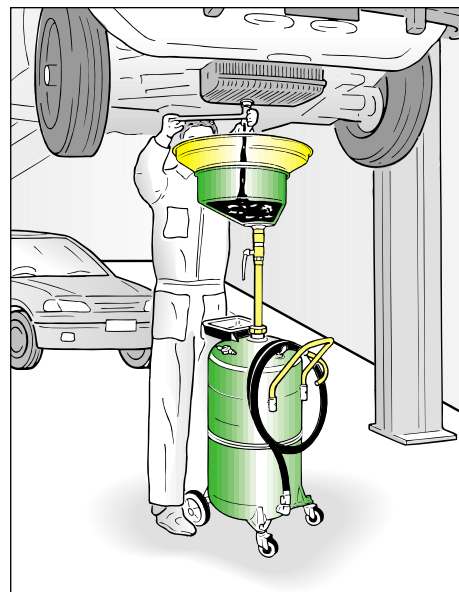




with **CENTRAL** bowlArt. 42065 **65lt**Art. 42090 **90lt**



Oil drainer with wheel-mounted tank: practical and functional, suitable for gravity draining of engine, gearbox and differential oil from all motor vehicles placed on auto lift or pit.

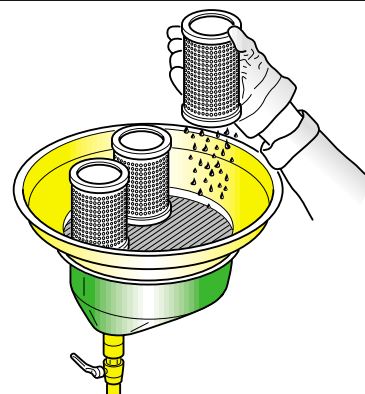
The centrally mounted 13-litre capacity **bowl**, in addition to being height-adjustable, can be optimally positioned thanks to the swivel joint on which it is applied.

Art. 42065 Waste oil drainer with wheel-mounted 65-litre tank equipped with level-gauge height-adjustable collection bowl with oversize funnel antispash screen/filter and removable tool tray

 N° 2 packing m^3 0,270  kg 33

Art. 42090 Waste oil drainer with wheel-mounted 90-litre tank equipped with level-gauge height-adjustable collection bowl with oversize funnel antispash screen/filter and removable tool tray

 N° 2 packing m^3 0,300  kg 34

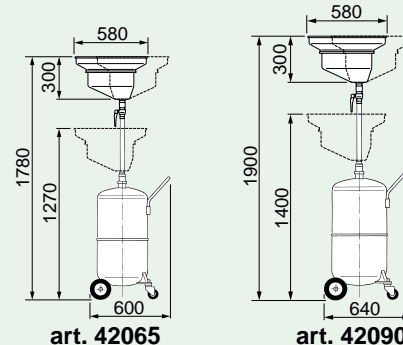


In addition to serving as a filter, the antispash screen is also a useful support for draining the filters just changed.

Article	42065	42090
Tank capacity	65 lt	90 lt
Max. collection capacity	52 lt	75 lt
Bowl capacity	13 lt	13 lt
Diameter oversize funnel	ø 580 mm	ø 580 mm
Length draining hose	2 m	2 m
Maximum height	1780 mm	1900 mm
Minimum height	1270 mm	1400 mm
Draining pressure	0,5 bar	0,5 bar

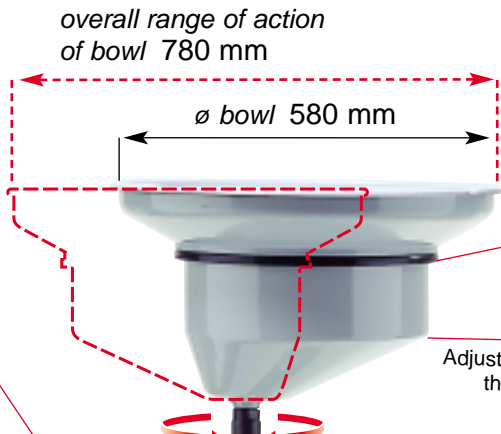
Warning: Do not use flammable or corrosive liquids.

Overall dimensions





Removable tool tray



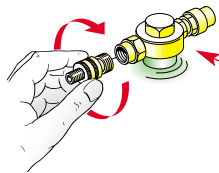
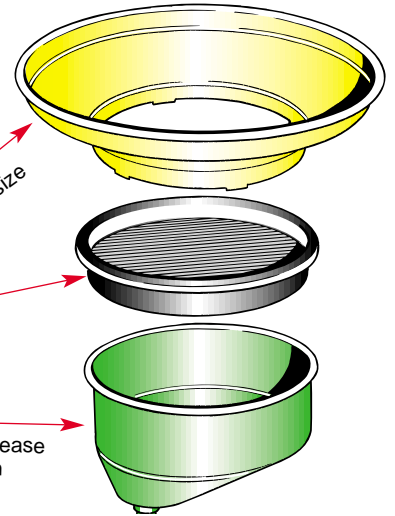
overall range of action of bowl 780 mm

ø bowl 580 mm

Removable oversize funnel

antisplash screen/filter

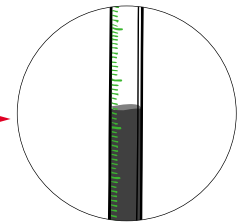
Adjustable bowl to increase the range of action



Oil valve on collection bowl

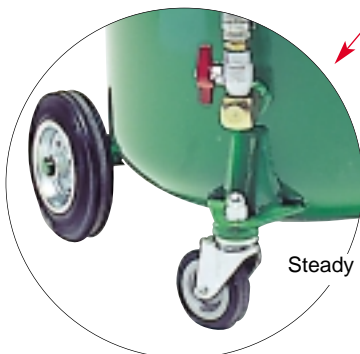
Unit with safety valve 1 bar, and universal cock 1/4" G

Bowl adjustment tube clamping ring

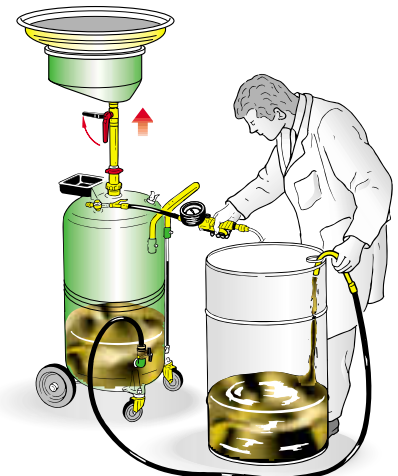


Level-gauge with scale in litres and gallons

Tank discharge cock



Steady and practical wheel-mounted base



2 m hose for draining of tank with air.